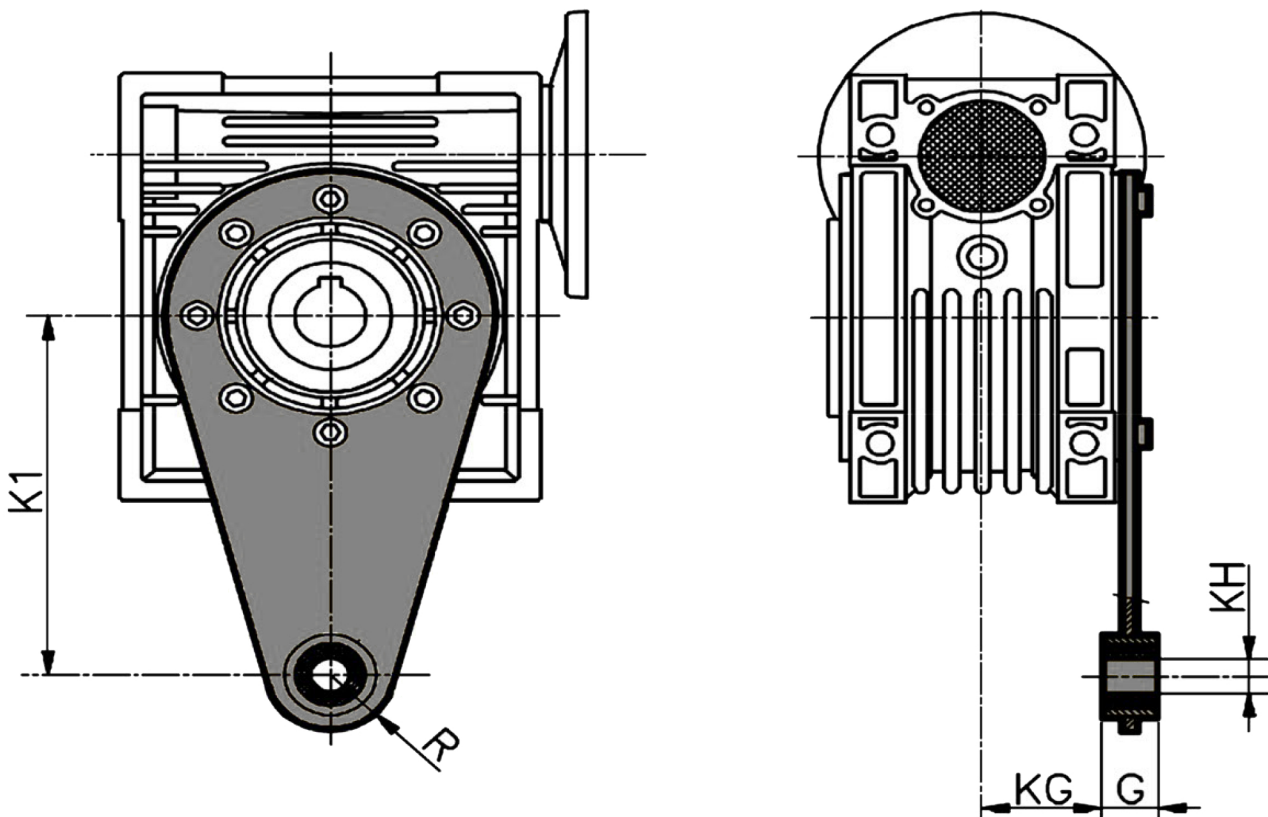


| Version: 2HAN | | Revised: 08-04-2024 | | Worm Gear Right 90° Angle Gearbox | | | | | | MRS50-56C | | | |
|---|---------|---------------------|--------------|-----------------------------------|------|---------|--------------|--------------|----------------|----------------------|----|-----|----|
| Customer is responsible in determining that MEP product will fit/perform suitably in the intended application | | | | | | | | | | | | | |
| A | B | C | E | H | M | P | B1 | B2 | D1 | D2 | H1 | L1 | L2 |
| 60 | 84 | 120 | 12 | 144 | Ø 70 | Ø 166.1 | 6.35 + 0.025 | 4.76 + 0.025 | Ø 25.4 + 0.033 | Ø 15.88 + 0.077/0.05 | 60 | 100 | 65 |
| L3 | L4 | T1 | T2 | AB | BB | CC | KA | KC | | | | | |
| Ø 85 | Ø 149.2 | 28.32 + 0.15 | 18.11 + 0.15 | 91 | 94 | 50 | 4-M8-DEEP8 | Ø 11 | | | | | |

| BACK VIEW | |
|------------|---|
| H | Height of gearbox casing. |
| M | Outer diameter of output hollow shaft sleeve lip. |
| B | Width of gearbox casing |
| KC | Hole slot size in input flange for motor mounting. |
| BB | Width of gearbox casing + lip of hollow shaft sleeve seat. |
| SIDE VIEW | |
| A | Horizontal distance from the center of hollow output shaft to the side of the gearbox casing. |
| AB | Horizontal distance from the center of hollow output shaft to the outside of the front motor mounting input flange. |
| E | Input mounting flange thickness. |
| P | Outer diameter of input motor mounting flange. |
| L1 | Center distance between feet mounting holes. |
| C | Width of gearbox casing. |
| KA | Hole size for mounting optional output flange or torque arm. |
| L3 | Bolt circle for mounting optional output flange or torque arm. |
| F | External width of mounting provisions for optional output flange. |
| D1 | Output shaft diameter. |
| B1 | Width of the output shaft key. |
| T1 | Hollow output shaft diameter + 1/2 key. |
| FRONT VIEW | |
| L4 | Bolt circle in input motor mounting flange. |
| CC | Center distance between input & output shafts. (Input & output gears). |
| H1 | Height to the center of the output shaft. |
| D2 | Input shaft diameter. |
| B2 | Width of the input shaft key. |
| T2 | Hollow input shaft diameter + 1/2 key. |

MaxMotion



Customer is responsible in determining that MEP product will fit/perform suitably in the intended application

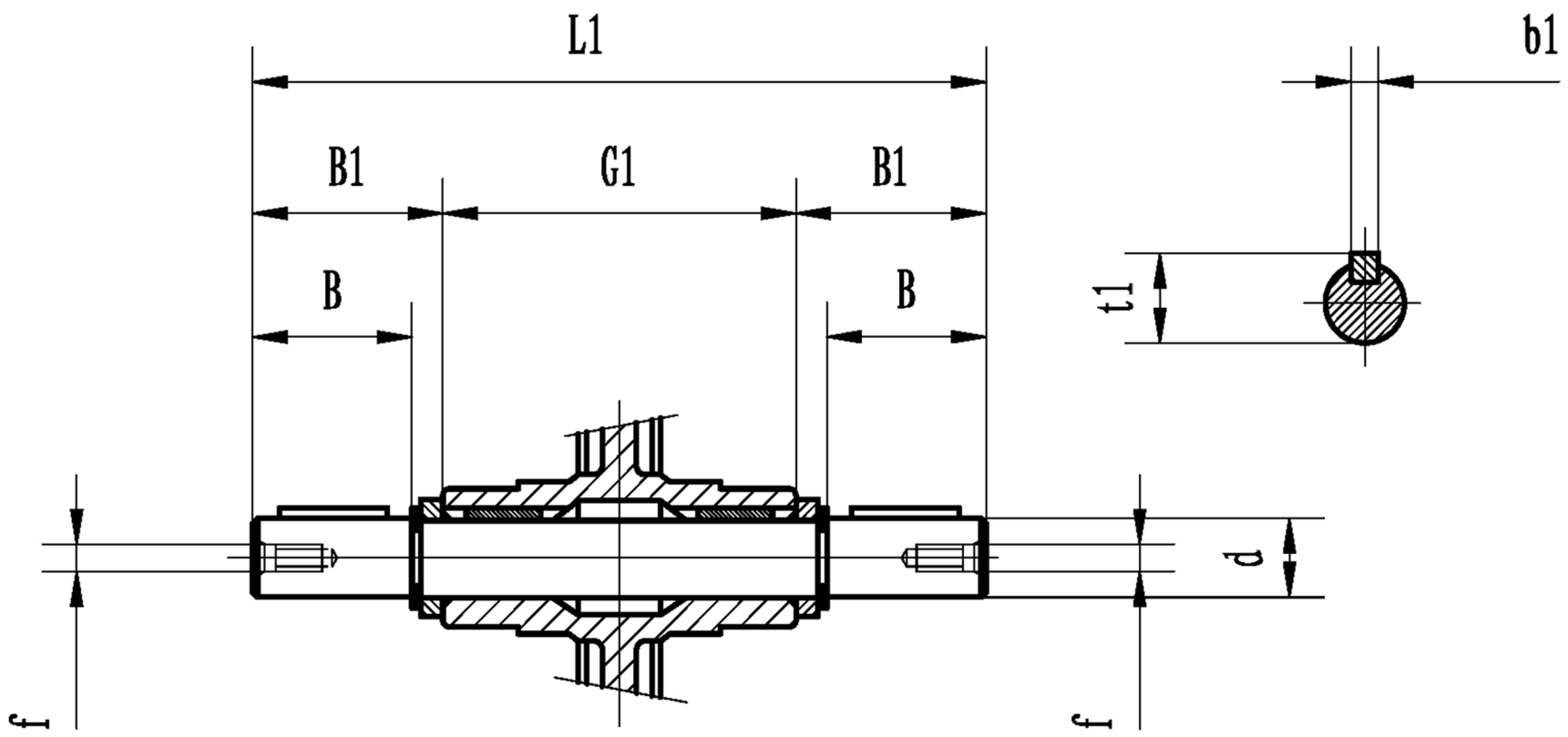
Version: 1HAN

Revised:06-07-2020

| SIZE | K1 | G | KG | KH | R |
|------|-----|----|------|----|----|
| 50 | 100 | 14 | 39.5 | 10 | 18 |

MRS50-ARM

MaxMotion



Customer is responsible in determining that MEP product will fit/perform suitably in the intended application

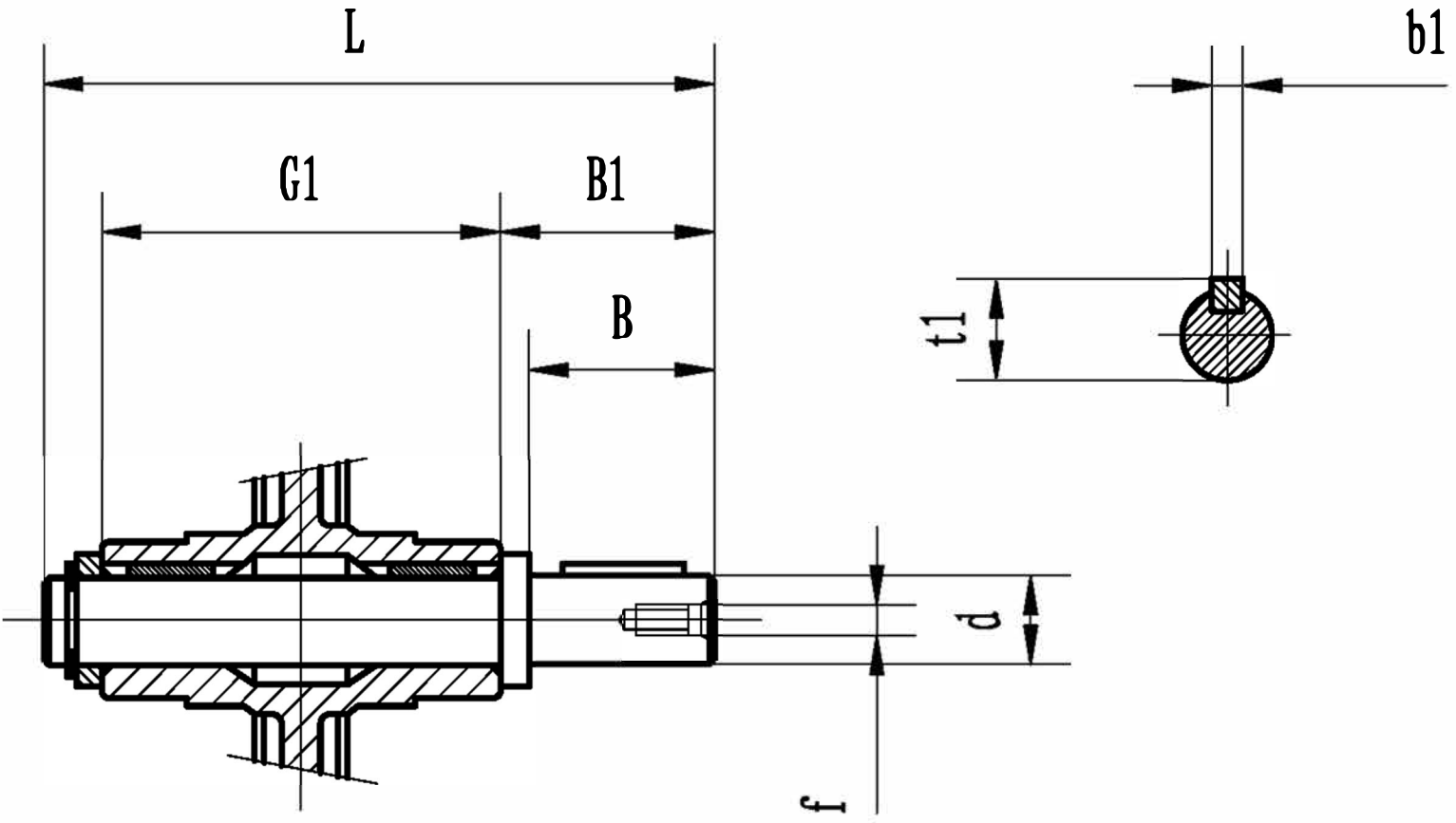
Version: 1HAN

Revised: 04-11-2020

| SIZE | B | d | f | L1 | B1 | b1 | G1 | t1 |
|------|----|------|-----------|-------|------|------|----|-------|
| 50 | 50 | 25.4 | 3/8-16UNC | 202.2 | 53.5 | 6.35 | 94 | 28.15 |

MRS50-DOUBLE OUTPUT SHAFT

MaxMotion



Customer is responsible in determining that MEP product will fit/perform suitably in the intended application

Version: 1HAN

Revised: 30-04-2020

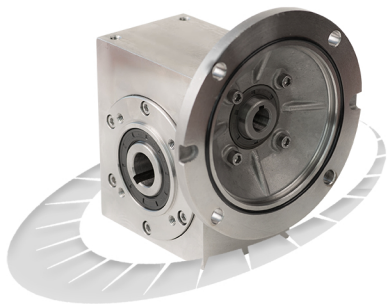
MRS50-SINGLE OUTPUT SHAFT

| SIZE | B | d | f | L | B1 | b1 | G1 | t1 |
|------|----|------|-----------|-----|------|------|----|-------|
| 50 | 50 | 25.4 | 3/8-16UNC | 155 | 53.5 | 6.35 | 94 | 28.15 |

RIGHT ANGLE SPEED REDUCER

304 STAINLESS STEEL CONSTRUCTION

MaxMotion



Features:

- 304 Stainless Steel construction
- Two bearings on Input shaft
- NEMA 56C Face Input
- Double Lip Viton Seals
- O Rings on input and output covers
- Hardened worm shaft
- Permanently sealed with Food Grade Oil
- 140TC come's with 5/8" Stainless Reduction Bushing

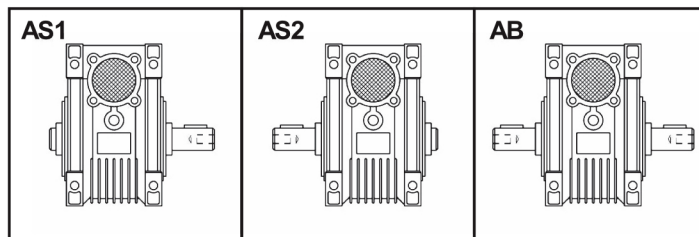
Benefits:

- Resists wash down & has higher thermal capacity
- Allows true alignment & prevents oil leaks
- Allows use of standard NEMA motors
- Prevents leaks and avoids oil contamination
- Seals better than paper gaskets
- Increase durability over forged design
- Plug-in solid shafts for greater mounting flexibility
- Maintenance free, no breather or fill plugs

MOUNTING VERSIONS

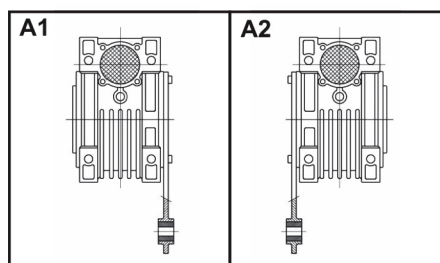
Standard Hollow Shaft Reducer

- Machined mounting faces on both output sides with tapped mounting holes.



Solid Single & Double Output Shafts

- Plug into standard hollow shaft.
- Easy field installation.



Bolt-On Torque Arm

- Bolts on to reducer machined face.
- C/W With flexible rubber bushing.

RIGHT ANGLE SPEED REDUCER

304 STAINLESS STEEL CONSTRUCTION



| MODEL | RATIO | OUTPUT RPM | OUTPUT TORQUE | MAX INPUT @ 1750RPM | MAX OHL Lbs | BORE SIZE | SINGLE O.P SHAFT | DOUBLE O.P SHAFT | TORQUE ARM | SANITATION COVER |
|-----------------|-------|------------|---------------|---------------------|-------------|-----------|------------------|------------------|------------|------------------|
| MRS50-5-56C | 5 | 350 | 549 | 3.43 | 322 | 1.000" | MRS50-SS-SS | MRS50-DS-SS | MRS50-ARM | MRS50-COVER |
| MRS50-7.5-56C | 7.5 | 23 | 638 | 2.64 | 369 | 1.000" | MRS50-SS-SS | MRS50-DS-SS | MRS50-ARM | MRS50-COVER |
| MRS50-10-56C | 10 | 175 | 637 | 2.06 | 406 | 1.000" | MRS50-SS-SS | MRS50-DS-SS | MRS50-ARM | MRS50-COVER |
| MRS50-15-56C | 15 | 117 | 655 | 1.48 | 464 | 1.000" | MRS50-SS-SS | MRS50-DS-SS | MRS50-ARM | MRS50-COVER |
| MRS50-20-56C | 20 | 88 | 646 | 1.14 | 510 | 1.000" | MRS50-SS-SS | MRS50-DS-SS | MRS50-ARM | MRS50-COVER |
| MRS50-25-56C | 25 | 70 | 619 | .90 | 551 | 1.000" | MRS50-SS-SS | MRS50-DS-SS | MRS50-ARM | MRS50-COVER |
| MRS50-30-56C | 30 | 58 | 743 | .96 | 586 | 1.000" | MRS50-SS-SS | MRS50-DS-SS | MRS50-ARM | MRS50-COVER |
| MRS50-40-56C | 40 | 44 | 672 | .70 | 643 | 1.000" | MRS50-SS-SS | MRS50-DS-SS | MRS50-ARM | MRS50-COVER |
| MRS50M-40-56C | 40 | 44 | 672 | .70 | 643 | 25MM | N/A | MRS50-DS-SS | MRS50-ARM | MRS50-COVER |
| MRS50-50-56C | 50 | 35 | 646 | .57 | 694 | 1.000" | MRS50-SS-SS | MRS50-DS-SS | MRS50-ARM | MRS50-COVER |
| MRS50-60-56C | 60 | 29 | 602 | .47 | 739 | 1.000" | MRS50-SS-SS | MRS50-DS-SS | MRS50-ARM | MRS50-COVER |
| MRS50M-60-56C | 60 | 29 | 602 | .47 | 739 | 25MM | N/A | MRS50-DS-SS | MRS50-ARM | MRS50-COVER |
| MRS50-80-56C | 80 | 22 | 575 | .38 | 810 | 1.000" | MRS50-SS-SS | MRS50-DS-SS | MRS50-ARM | MRS50-COVER |
| MRS50-100-56C | 100 | 18 | 487 | .28 | 866 | 1.000" | MRS50-SS-SS | MRS50-DS-SS | MRS50-ARM | MRS50-COVER |
| MRS63-7.5-56C | 7.5 | 233 | 1133 | 4.77 | 463 | 1.000" | MRS63-SS-SS | MRS63-DS-SS | MRS63-ARM | MRS63-COVER |
| MRS63-10-56C | 10 | 175 | 1150 | 3.67 | 510 | 1.000" | MRS63-SS-SS | MRS63-DS-SS | MRS63-ARM | MRS63-COVER |
| MRS63-15-56C | 15 | 117 | 1239 | 2.76 | 583 | 1.000" | MRS63-SS-SS | MRS63-DS-SS | MRS63-ARM | MRS63-COVER |
| MRS63-20-56C | 20 | 88 | 1194 | 2.05 | 641 | 1.000" | MRS63-SS-SS | MRS63-DS-SS | MRS63-ARM | MRS63-COVER |
| MRS63-25-56C | 25 | 70 | 1150 | 1.64 | 692 | 1.000" | MRS63-SS-SS | MRS63-DS-SS | MRS63-ARM | MRS63-COVER |
| MRS63-30-56C | 30 | 58 | 1416 | 1.77 | 736 | 1.000" | MRS63-SS-SS | MRS63-DS-SS | MRS63-ARM | MRS63-COVER |
| MRS63-40-56C | 40 | 44 | 1283 | 1.27 | 807 | 1.000" | MRS63-SS-SS | MRS63-DS-SS | MRS63-ARM | MRS63-COVER |
| MRS63M-40-56C | 40 | 44 | 1283 | 1.27 | 807 | 25MM | N/A | MRS63-DS-SS | MRS63-ARM | MRS63-COVER |
| MRS63-50-56C | 50 | 35 | 1194 | 1.01 | 871 | 1.000" | MRS63-SS-SS | MRS63-DS-SS | MRS63-ARM | MRS63-COVER |
| MRS63-60-56C | 60 | 29 | 1150 | .86 | 928 | 1.000" | MRS63-SS-SS | MRS63-DS-SS | MRS63-ARM | MRS63-COVER |
| MRS63M-60-56C | 60 | 29 | 1150 | .86 | 928 | 25MM | N/A | MRS63-DS-SS | MRS63-ARM | MRS63-COVER |
| MRS63-80-56C | 80 | 22 | 1079 | .66 | 1017 | 1.000" | MRS63-SS-SS | MRS63-DS-SS | MRS63-ARM | MRS63-COVER |
| MRS63-100-56C | 100 | 15 | 1044 | .57 | 1088 | 1.000" | MRS63-SS-SS | MRS63-DS-SS | MRS63-ARM | MRS63-COVER |
| MRS75-7.5-180TC | 7.5 | 233 | 1555 | 6.44 | 581 | 1.250" | MRS75-SS-SS | MRS75-DS-SS | MRS75-ARM | MRS63-COVER |
| MRS75-10-180TC | 10 | 175 | 1656 | 5.2 | 639 | 1.250" | MRS63-SS-SS | MRS75-DS-SS | MRS63-ARM | MRS63-COVER |
| MRS75-15-180TC | 15 | 117 | 1900 | 4.07 | 732 | 1.250" | MRS63-SS-SS | MRS75-DS-SS | MRS63-ARM | MRS63-COVER |
| MRS75-20-140TC | 20 | 88 | 1953 | 3.24 | 806 | 1.250" | MRS63-SS-SS | MRS75-DS-SS | MRS63-ARM | MRS63-COVER |
| MRS75-25-140TC | 25 | 70 | 1784 | 2.43 | 868 | 1.250" | MRS63-SS-SS | MRS75-DS-SS | MRS63-ARM | MRS63-COVER |
| MRS75-30-140TC | 30 | 58 | 2027 | 2.41 | 922 | 1.250" | MRS63-SS-SS | MRS75-DS-SS | MRS63-ARM | MRS63-COVER |
| MRS75-40-56C | 40 | 44 | 2029 | 1.9 | 1015 | 1.250" | MRS63-SS-SS | MRS75-DS-SS | MRS63-ARM | MRS63-COVER |
| MRS75-50-56C | 50 | 35 | 1880 | 1.47 | 1093 | 1.250" | MRS63-SS-SS | MRS75-DS-SS | MRS63-ARM | MRS63-COVER |
| MRS75-60-56C | 60 | 29 | 1778 | 1.22 | 1162 | 1.250" | MRS63-SS-SS | MRS75-DS-SS | MRS63-ARM | MRS63-COVER |
| MRS75-80-56C | 80 | 22 | 1632 | .91 | 1279 | 1.250" | MRS63-SS-SS | MRS75-DS-SS | MRS63-ARM | MRS63-COVER |
| MRS75-100-56C | 100 | 15 | 1517 | .74 | 1378 | 1.250" | MRS63-SS-SS | MRS75-DS-SS | MRS63-ARM | MRS63-COVER |

Available Accessories:



Single output shaft



Double output shaft



Torque Arm



Safety Cover